



Gfs DEXCON for panic bars

Part No.: 960 950



**New product – new questions**  
 Our experts are available from  
**Monday to Friday between 8.00 a.m. and 5.00 p.m.**  
 to answer to your questions.  
**+49 40 790 19 50**

**Description**  
 The Gfs DEXCON for panic bars is designed for an easy, wireless installation. The red trigger angle of the Gfs DEXCON secures the panic bar. The sticker STOP sends out the message that the door should not be used without authorization. The Gfs DEXCON for panic bars integrates a pre-alarm which gives a non-permanent alarm while the panic bar is smoothly pressed. After releasing the panic bar the pre-alarm goes off automatically. If the panic bar is pressed firmly so that the door opens, the main alarm is triggered. The trigger angle falls to the ground, and a permanent acoustic signal (75 dB/1 m) sounds. Only an authorized person may switch-off the alarm with a device key. To activate the Gfs DEXCON the trigger angle must be fixed again with a red upper plate. The integrated battery monitoring indicates, that it is time to change the battery (voltage below 7.5 V). The Gfs DEXCON emits a warning tone over a period of 10 days. Mains supply is possible.

- Features**
- Easy installation
  - Strong deterrent due to pre-alarm and installation in the center of the door
  - Alarm switch-off with device key
  - Battery monitoring included
  - Integrated tampering alarm
  - Option: radio transmission
  - Perfect for retrofit business
  - Mounting on fire doors and glass doors possible with adhesive tape

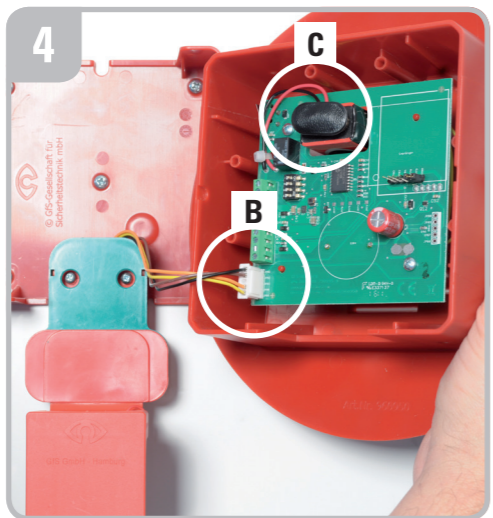
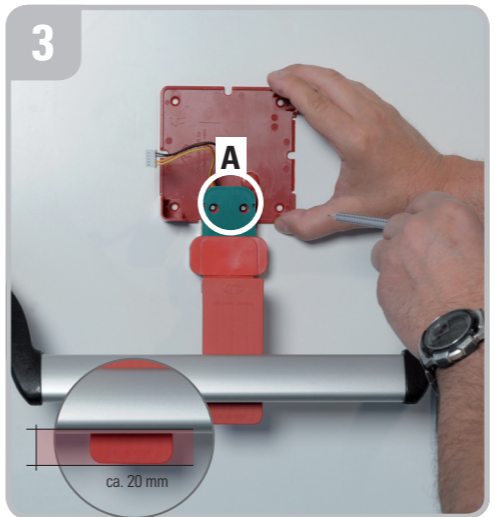
- Scope of delivery**
- 1x Gfs DEXCON for panic bars
  - 1x Adjustable trigger angle including safety rope
  - 6x Red upper plates
  - 1x 9 V battery
  - 2x Keys
  - 1x STOP sticker
  - 7x Screws



**Installation**

1. Correctly place the Gfs DEXCON in the desired position.  
**Make sure that the trigger angle overlaps the panic bar by 1–2 cm. It is essential to ensure that the panic bar can be pushed to its end stop.**
2. Shorten the horizontal arm. Insert the vertical into the horizontal arm of the trigger angle in a way that the vertical arm touches the panic bar.
3. Fix the Gfs DEXCON to the door with the five screws supplied (or with the adhesive tape). For additional stability use the screw points below the green under plate. Loosen the two visible screws (A), slide the insert upwards out of the holder and fix them tight again.
4. Insert and turn the key into position 1, then remove it. Connect the battery (C). After 5 seconds two short signals sound. The Gfs DEXCON is now deactivated. Insert the plug of the trigger arm on the circuit board (B).
5. Place the housing onto the base plate
6. Fix the housing onto the base plate (**please tighten the two screws carefully**). Place the STOP sticker on the housing.
7. To activate the Gfs DEXCON, insert the key and turn it to 0. Then turn the key to 1 and quickly back to 0 (< 5 sec) and remove the key.

**Change battery:** proceed as described in 4.



**Operation**

**Activation**

Key switch on 0

**Then**

short pulse (< 5 sec) to 1

**and**

back to 0

**Quit alarm**

short pulse (< 5 sec) to 1

**and**

back to 0

**Permanently open function**

Hold key in position 1 until it beeps twice

**After that**

turn back to 0

**Single release**

Authorized persons may bypass the Gfs DEXCON by opening the door with a key.

**Functions DIP Switches**

| DIP switch                              | 1   | 2   | 3   | 4   |
|-----------------------------------------|-----|-----|-----|-----|
| Permanent alarm <sup>1</sup>            | OFF | OFF | OFF | OFF |
| Alarm duration 180 seconds              | ON  | OFF | OFF | OFF |
| Alarm duration 30 seconds               | ON  | ON  | OFF | OFF |
| Instant alarm <sup>1</sup>              | OFF | OFF | OFF | OFF |
| Delayed alarm (15 sec)                  | OFF | OFF | ON  | ON  |
| Reduced volume (75 dB/1 m) <sup>1</sup> | OFF | OFF | OFF | OFF |
| Full volume (95 dB/1 m)                 | OFF | OFF | OFF | ON  |
| Autoreset <sup>2</sup>                  | OFF | ON  | OFF | OFF |

**Sounds**

| Interval  | Meaning                                                                                            |
|-----------|----------------------------------------------------------------------------------------------------|
| 3 sec     | Screw to fix housing on base plate is loose/missing <sup>3</sup><br>OR: red upper plate is missing |
| permanent | <b>Permanent alarm</b> when opening the door<br>OR tamper alarm<br>OR red upper plate missing      |
| 60 sec    | <b>Battery monitoring</b><br>Voltage drops below 7.5 V                                             |
|           | <b>Permanent opening command</b>                                                                   |

**Terminal connection**

1 – 3 Potential free relay, 30 V/0.5 A max.  
 4 + 5 Mains supply, 12 V (max 13 V).  
 For GND do not use cl. 7 or 9  
 6 + 7 External key switch with reset (GND cl. 7)  
 8 + 9 Access Control System (GND cl. 9)

Mains supply 12 V (– 0.5 V/+ 1 V) or 9 V (max. 10 V)  
 Current consumption 12 mA Activated mains operation  
 10 µA Activated battery operation  
 66 mA Alarm (siren active)

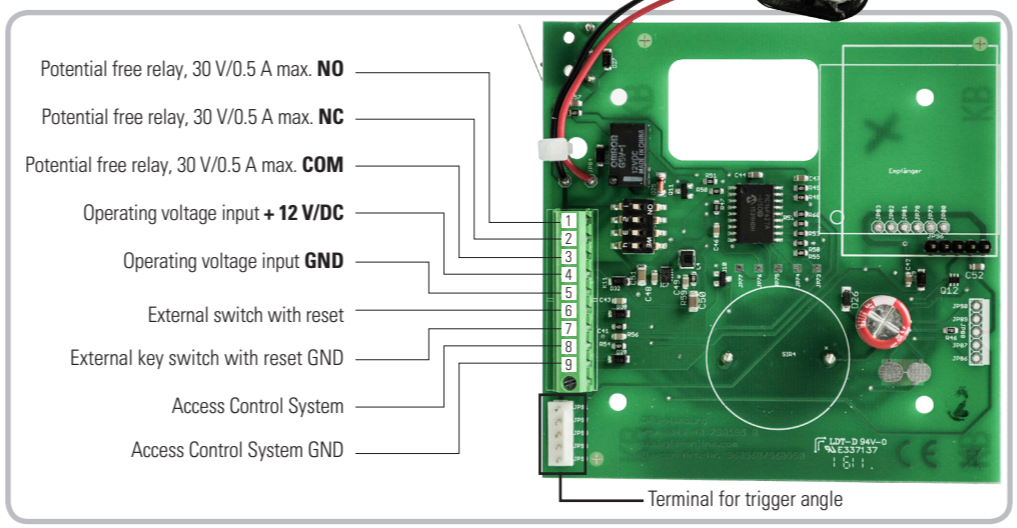
**General information**

**Disposal**  
 Dispose an obsolete Gfs DEXCON at a collecting point for electronic waste or at your supplier. Dispose the packaging material at a paper collecting point for paper recycling. You may not dispose an obsolete device in the general waste.

**Warranty**  
 Within the legal warranty time we intend to repair all defective devices, whether the defect is caused by the material or assembly, or replace them. The warranty expires after a third-party repair.

**Conformity**  
 This product complies with the essential requirements of the R&TTE guideline 1999/5/EG. The certificate of conformity can be requested from your supplier.

**Service**  
 In case of a system failure or a defective Gfs DEXCON please contact your dealer.



<sup>3</sup> just during initial installation

960955\_DXC\_0516 For printing errors, we assume no liability. Price increases, technical changes and updates without notice.





Gfs DEXCON for pushbars

Part No.: 960 955



**New product – new questions**  
 Our experts are available from  
**Monday to Friday between 8.00 a.m. and 5.00 p.m.**  
 to answer to your questions.  
**+49 40 790 19 50**

**Description**

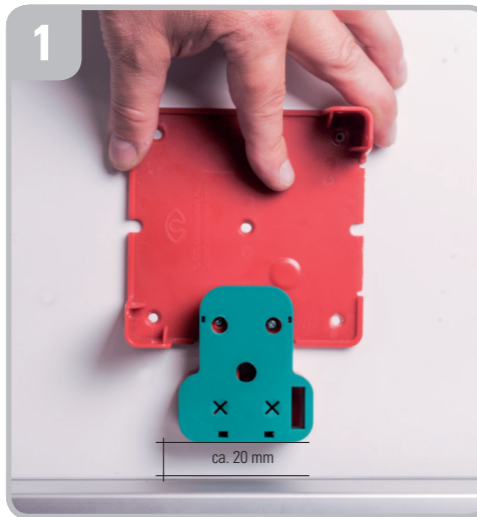
The Gfs DEXCON for pushbars is designed for an easy, wireless installation. The Gfs DEXCON is an effective deterrent which monitors the abuse of emergency exits. The red trigger angle of the Gfs DEXCON secures the pushbar. The sticker STOP sends out the message that the door should not be used without authorization. The Gfs DEXCON for pushbars integrates a pre-alarm which gives a non-permanent alarm while the pushbar is smoothly pressed. After releasing the pushbar the pre-alarm goes off automatically. If the pushbar is pressed firmly so that the door opens, the permanent alarm (75 dB/1 m) is triggered. The integrated battery monitoring indicates, that it is time to change the battery (voltage below 7.5 V). The Gfs DEXCON emits a warning tone over a period of 10 days. Mains supply is possible.

**Features**

- Easy installation
- Strong deterrent due to pre-alarm and installation in the center of the door
- Alarm switch-off with device key
- Battery monitoring included
- Integrated tampering alarm
- Option: radio transmission
- Perfect for retrofit business
- Mounting on fire doors and glass doors possible with adhesive tape

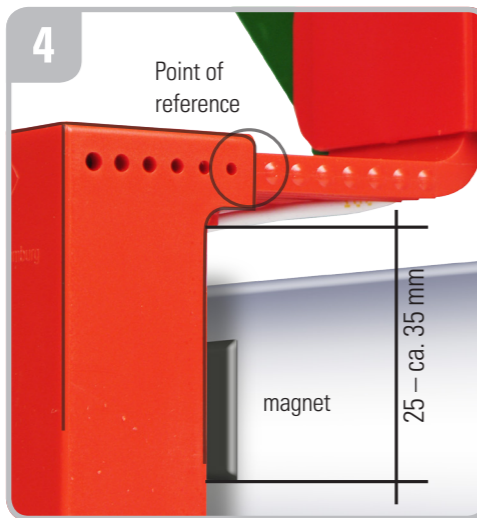
**Scope of delivery**

- 1x Gfs DEXCON for pushbars
- 1x Adjustable trigger angle
- 6x Red upper plates
- 1x Magnetic foil
- 1x 9 V battery
- 2x Keys
- 1x STOP sticker
- 7x Screws



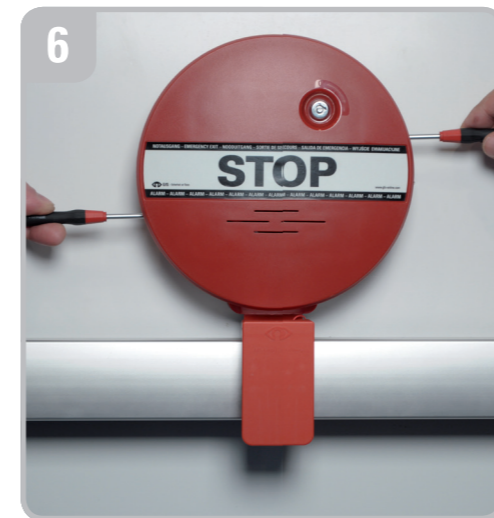
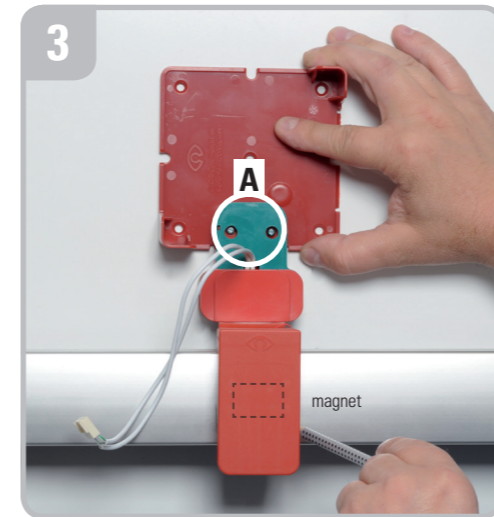
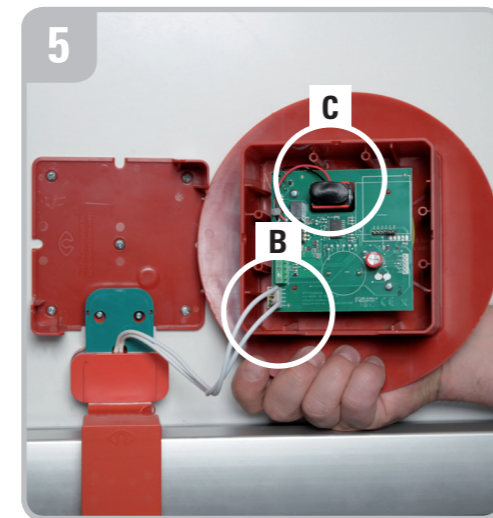
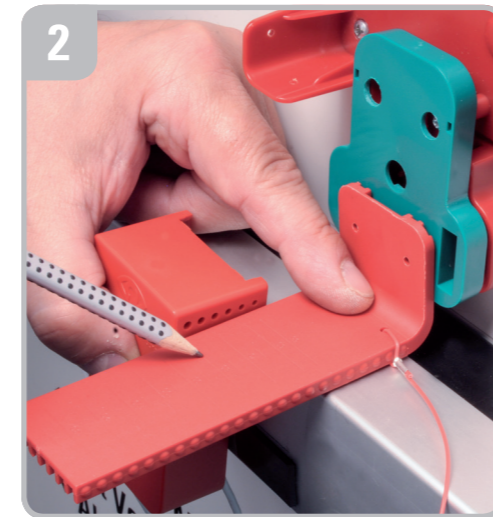
**Installation**

1. Correctly place the Gfs DEXCON in the desired position.
2. Shorten the horizontal arm. Insert the vertical into the horizontal arm of the trigger angle so that the vertical arm touches the touchbar (when completely engaged).
3. Fix the Gfs DEXCON to the door with the five screws supplied. For additional stability use the screw points below the green under plate. Loosen the two visible screws (A), slide the insert upwards out of the holder and fix them tight again.
4. Glue the magnetic foil on the push bar as described in fig. 4. Attach the trigger angle on the base plate.
5. Insert the key, turn it into position 1 and remove the key. Now connect the battery (C). After about 5 sec two short acoustic signals resound. The device is now in permanent open mode. Insert the plug of the trigger arm on the circuit board (B).



6. Place the housing on the base plate and tighten the two supplied screws (**please tighten them gently**). Place the STOP sticker onto the housing.
7. To activate the Gfs DEXCON insert the key and turn it to 0. Then, turn the key to 1 and quickly back to 0 (< 5 sec.). Remove the key.

**Change battery:**  
 proceed as described in 5.



Cut to save operation instruction

**Operation**

| Activation                                  |  |
|---------------------------------------------|--|
| Key switch on 0                             |  |
| Then                                        |  |
| short pulse (< 5 sec) to 1                  |  |
| and                                         |  |
| back to 0                                   |  |
| Quit alarm                                  |  |
| short pulse (< 5 sec) to 1                  |  |
| and                                         |  |
| back to 0                                   |  |
| Permanently open function                   |  |
| Hold key in position 1 until it beeps twice |  |
| After that                                  |  |
| turn back to 0                              |  |
| Single release                              |  |
| short pulse (< 5 sec) to 1                  |  |
| and                                         |  |
| back to 0                                   |  |

**Functions DIP Switches**

| DIP switch                              | 1   | 2   | 3   | 4   |
|-----------------------------------------|-----|-----|-----|-----|
| Permanent alarm <sup>1</sup>            | OFF | OFF | OFF | OFF |
| Alarm duration 180 seconds              | ON  | OFF | OFF | OFF |
| Alarm duration 30 seconds               | ON  | ON  | OFF | OFF |
| Instant alarm <sup>1</sup>              | OFF | OFF | OFF | OFF |
| Delayed alarm (15 sec)                  | OFF | OFF | ON  | ON  |
| Reduced volume (75 dB/1 m) <sup>1</sup> | OFF | OFF | OFF | OFF |
| Full volume (95 dB/1 m)                 | OFF | OFF | OFF | ON  |
| Autoreset <sup>2</sup>                  | OFF | ON  | OFF | OFF |

<sup>1</sup> Factory settings <sup>2</sup> no temporization

**Sounds**

| Interval | Meaning                                                                                               |
|----------|-------------------------------------------------------------------------------------------------------|
|          | Screw to fix housing on base plate is loose/missing <sup>3</sup><br>OR: Magnet missing/false position |
|          | <b>Permanent alarm</b> when door is opened<br>OR: tamper alarm                                        |
|          | <b>Battery monitoring</b><br>Voltage drops below 7.5 V                                                |
|          | <b>Permanent opening command</b>                                                                      |

<sup>3</sup> just during initial installation

**Terminal connection**

- 1 – 3 Potential free relay, 30 V/0.5 A max.
- 4 + 5 Mains supply, 12 V (max 13 V). For GND do not use cl. 7 or 9
- 6 + 7 External key switch with reset (GND cl. 7)
- 8 + 9 Access Control System (GND cl. 9)

- Mains supply 12 V (- 0.5V/+ 1 V) or 9 V (max. 10 V)
- Current consumption 12 mA Activated mains operation  
10 µA Activated battery operation  
66 mA Alarm (siren active)

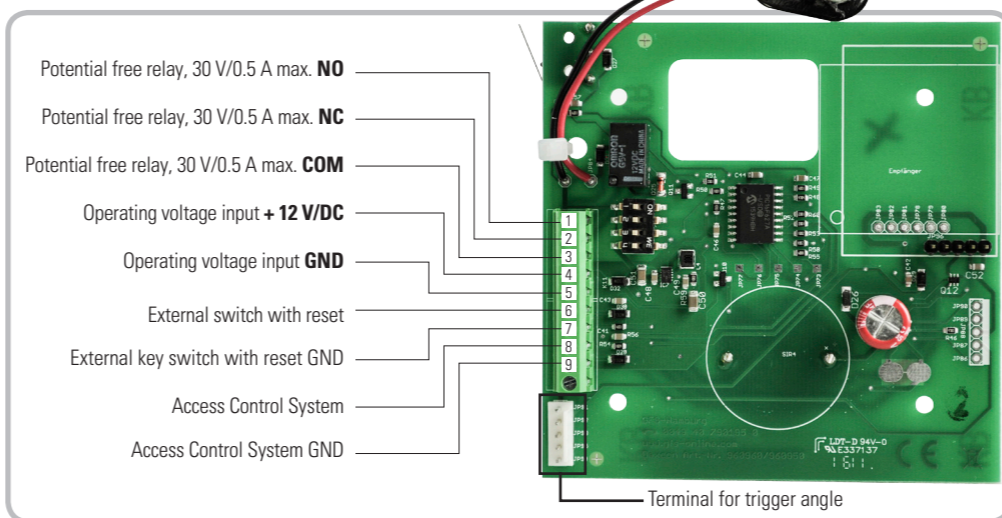
**General information**

**Disposal**  
 Dispose an obsolete Gfs DEXCON at a collecting point for electronic waste or at your supplier. Dispose the packaging material at a paper collecting point for paper recycling. You may not dispose an obsolete device in the general waste.

**Warranty**  
 Within the legal warranty time we intend to repair all defective devices, whether the defect is caused by the material or assembly, or replace them. The warranty expires after a third-party repair.

**Conformity**  
 This product complies with the essential requirements of the R&TTE guideline 1999/5/EG. The certificate of conformity can be requested from your supplier.

**Service**  
 In case of a system failure or a defective Gfs DEXCON please contact your dealer.



960955\_DXC\_0516 For printing errors, we assume no liability. Price increases, technical changes and updates without notice.