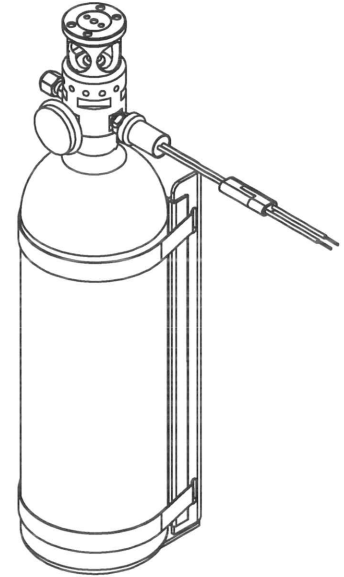


SEA-FIRE DATA SHEET

MODEL RANGE - NFG76 - NFG100

Mechanical Characteristics

- Agent: 3M™ Novec™ 1230
- Cylinder capacity: 136 cu in, 2.23 l
- Operating pressure: 500 psig @ 70°F, 34.5 bar @ 21°C
- Pressure switch: electrical contact closed under pressure, opens upon discharge @ 385 psi, 26.5 bar
- Cylinder specification: DOT 39, TC 39M, CE (PED)
- Pressure gauge (visual indication of pressure in cylinder)
- System status indicator light included with each system (12 V DC standard)
- Instruction manual included with each system (123-330)
- Manifold: CDA 360 brass with corrosion inhibitor applied



AUTOMATIC

500-049

TARE WEIGHTS	LB	KG
AUTOMATIC	3.5	1.6
MANUAL/AUTOMATIC	3.7	1.7

Performance Characteristics

- Actuation temperature: 175°F, 79°C
- Discharge duration: less than 10 seconds
- Design concentration: 5.85%
- Safety factor: 30%
- Operating temperature range: 20°F-130°F, -7°C-54°C

Installation Data

- Bracket assy: 130-805
- Mounting: horizontal or vertical
- Mounting holes: 4X Ø0.39", 1.5" by 8" rectangular pattern

Installation Requirements	(IN) Width	(IN) Height	(IN) Depth	(MM) Width	(MM) Height	(MM) Depth
Automatic	5.2	17.7	5.2	132	450	132
Manual/Automatic	5.2	19.0	5.2	132	483	132

Approvals

FM 3040508, USCG 162.029.248/0, TC, CE

Compliance To:

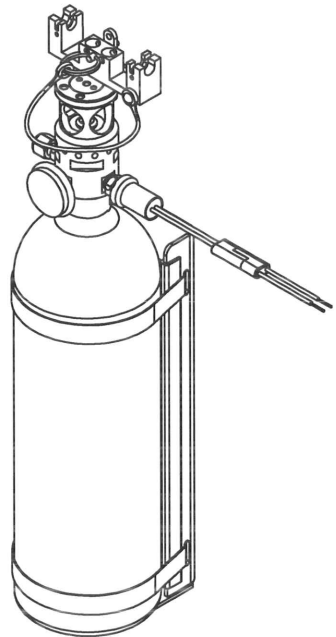
NFPA 2001, ABYC, Marine ISO-8846, UL2166, FM 5600, 46 CFR

Options

- Pressure switch connector: Delphi (Weather-Pack) male connector, Deutsch (DTP) male connector, Delphi (Weather-Pack) assembly with wire leads
- Manual cable activation: Bi-directional
- System status indicator light: 12VDC std, 24VDC optional
- Pressure relief assembly: 975 psi, 67.2 bar

Shipping Data

- Shipping name: Compressed Gas, n.o.s. (nitrogen and flourinated keytone mixture), UN 1956
- Case pack qty: 1, 4, 6
- DOT special permit: SP-11598



MANUAL/AUTOMATIC

MODEL	NFG 100
(Lb) Agent Weight	5.37
(Kg) Agent Weight	2.44
(Lb) Filled Weight No Bkt	9.15
(Kg) Filled Wgt No Bkt	4.16
(Lb) Inst Wgt W/ Bkt	11.45
(Kg) Inst Wgt W/ Bkt	5.20
(Lb) Shipping Weight	13.45
(Kg) Shipping Wgt	6.11

9331-A PHILADELPHIA ROAD
BALTIMORE, MD 21237 U.S.A.
www.sea-fire.com

PHONE (410) 687-5500
FAX (410) 687-5503

DOCUMENT DISTRIBUTION <small>THIS DOCUMENT IS INTENDED FOR GENERAL DISTRIBUTION AND MAY BE SHARED FULLY</small>	CYLINDER ASSEMBLY COMPONENT: AUTOMATIC & MANUAL/AUTO NFG76 - NFG100 (DOT/TC/CE)	DATE: 4/24/12	DRAWN BY: J. PIPPIN
4.5-6 REV B	SCALE: 1:5 ENGR APPR: <i>DP</i>	DATE: 5/31/12	REVISION: D
			PART NO.: 500-049