



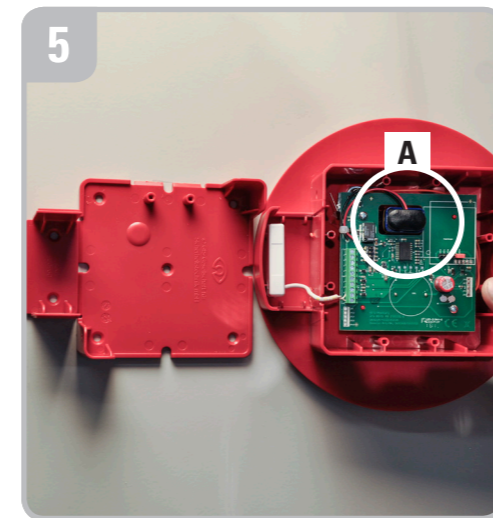
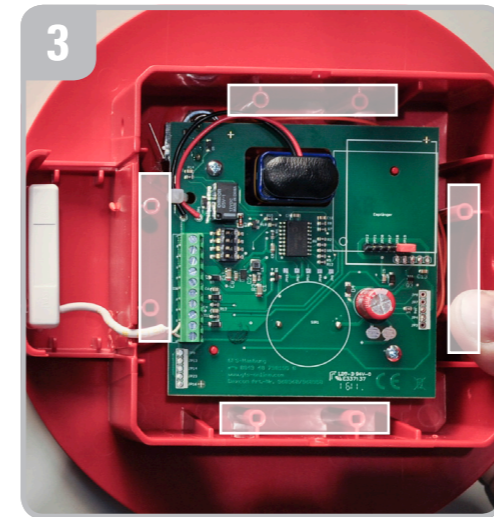
GfS DEXCON

Part No.: 960 960



New product – new questions
 Our experts are available from
Monday to Friday between 8.00 a.m. and 5.00 p.m.
 to answer to your questions.
+49 40 790 19 50

- ### Installation
1. Correctly place the GfS DEXCON in the desired position.
 2. Fix the GfS DEXCON to the door/wall with the seven screws supplied (or with adhesive tape).
 3. Mount the reed contact either inside or outside the housing, depending on the required installation.
 4. Ensure the magnet is mounted opposite the reed contact.
 5. Insert and turn the key into position 1, then remove it. Connect the battery (A). After 5 seconds two short signals sound. The GfS DEXCON is now deactivated.
 6. Fix the housing to the base plate (Please tighten the two screws carefully). Place the STOP sticker on the housing.
 7. To activate the GfS DEXCON, insert the key in position 1 and turn it to 0. Then turn the key to 1 and quickly back to 0 (< 5 sec). Remove the key.
- Change battery:** proceed as described in 5



Operation

Activation	Diagram
Key switch on 0	
Then short pulse (< 5 sec) to 1	
and back to 0	
Quit alarm short pulse (< 5 sec) to 1	
and back to 0	
Permanently open function Hold key in position 1 until it beeps twice	
After that turn back to 0	
Single release short pulse (< 5 sec) to 1	
and back to 0	

Functions DIP Switches

DIP switch	1	2	3	4
Permanent alarm ¹	OFF	OFF	OFF	OFF
Alarm duration 180 seconds	ON	OFF	OFF	OFF
Alarm duration 30 seconds	ON	ON	OFF	OFF
Instant alarm ¹	OFF	OFF	OFF	OFF
Delayed alarm (15 sec)	OFF	OFF	ON	ON
Reduced volume (75 dB/1 m) ¹	OFF	OFF	OFF	OFF
Full volume (95 dB/1 m)	OFF	OFF	OFF	ON
Autoreset ²	OFF	ON	OFF	OFF

Sounds

Interval	Meaning
	Screw to fix housing on base plate is loose/missing ³ OR: Magnet missing/false position
	Permanent alarm when door is opened OR: tamper alarm
	Battery monitoring Voltage drops below 7.5 V
	Permanent opening command

Terminal connection

1-3	Potential free relay, 30 V/0.5 A max.
4+5	Mains supply, 12 V (max 13 V). For GND do not use cl. 7 or 9
6+7	External switch with reset GND (Cl. 7)
8+9	External opening contact GND (Cl. 9)
9	GND
9+10	Reed contact
Mains supply	12 V (-0.5V/+1 V) or 9 V (max. 10 V)
Current consumption	12 mA Activated mains operation 10 µA Activated battery operation 66 mA Alarm (siren active)

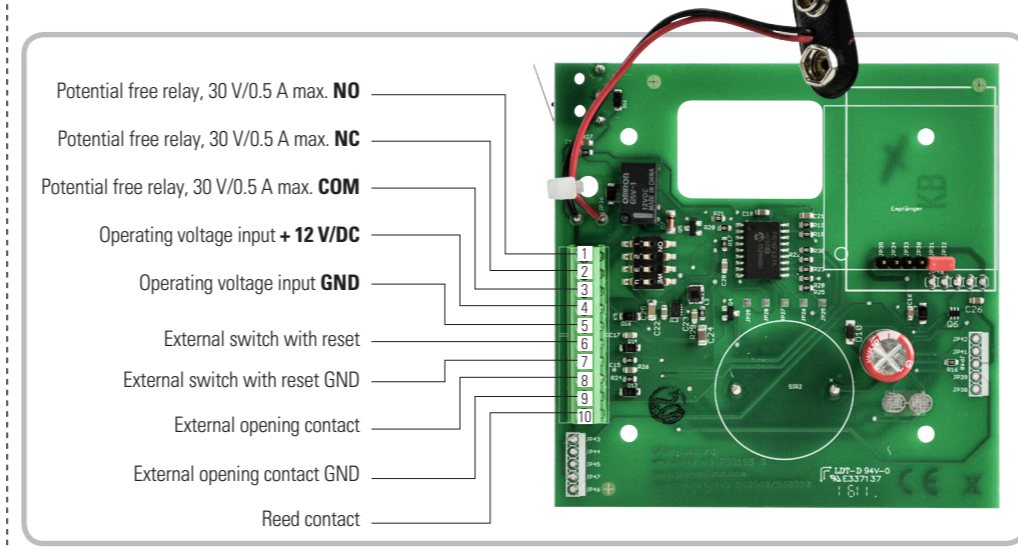
General information

Disposal
 Dispose an obsolete GfS DEXCON at a collecting point for electronic waste or at your supplier. Dispose the packaging material at a paper collecting point for paper recycling. You may not dispose an obsolete device in the general waste.

Warranty
 Within the legal warranty time we intend to repair all defective devices, whether the defect is caused by the material or assembly, or replace them. The warranty expires after a third-party repair.

Conformity
 This product complies with the essential requirements of the R&TTE guideline 1999/5/EG. The certificate of conformity can be requested from your supplier.

Service
 In case of a system failure or a defective GfS DEXCON please contact your dealer.



Description

The GfS DEXCON is designed to secure emergency exit doors with little effort. The sticker STOP sends out the message that the door should not be used without authorization. As soon as the door is opened a permanent alarm is triggered (75 dB/1 m). The automatic alarm switch-off can be adjusted individually (3 min. or 30 sec.) with the integrated DIP switch. The noise level can be increased to 95 dB/1 m. Only authorized persons may switch-off the alarm by turning the device key to position 1 either for a single passage (< 1 sec.) or permanent passage (> 5 sec). In case that somebody forgets to close the door after a single passage command an acoustic warning tone will sound. The integrated battery monitoring indicates, that it is time to change the battery (voltage below 7.5 V). The GfS DEXCON emits a warning tone over a period of 10 days. Mains supply is possible.

- ### Scope of delivery
- 1x GfS DEXCON
 - 1x Reed contact with magnet and mounting accessories
 - 1x 9V battery
 - 1x Electric key switch with 2 keys
 - 1x STOP sticker
 - 7x Screws

- ### Features
- Easy installation
 - Different noise levels for different building environments (95 dB/75 dB)
 - Automatic alarm switch-off after 3mins, 30 sec. or instantly after the door has been closed
 - Delayed alarm to control doors, which must not stay open (but shall be used)
 - Battery monitoring included
 - Integrated tampering alarm
 - Option: radio transmission
 - Mounting on fire doors and glass doors possible with adhesive tape

960960_DXC_0516 For printing errors, we assume no liability. Price increases, technical changes and updates without notice.



Gfs DEXCON for multipoint locks

Part No: 960 961



New product – new questions
 Our experts are available from
Monday to Friday between 8.00 a.m. and 5.00 p.m.
 to answer to your questions.
+49 40 790 19 50

Description

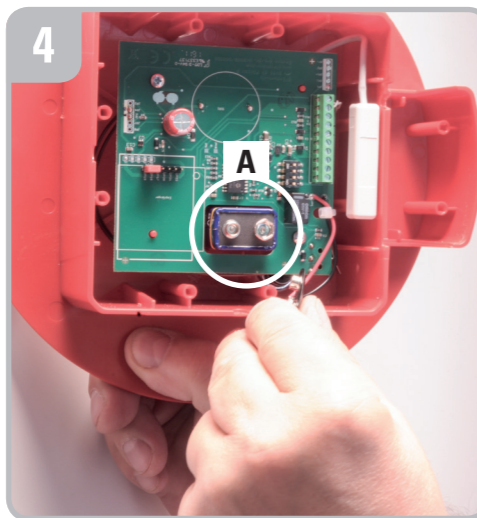
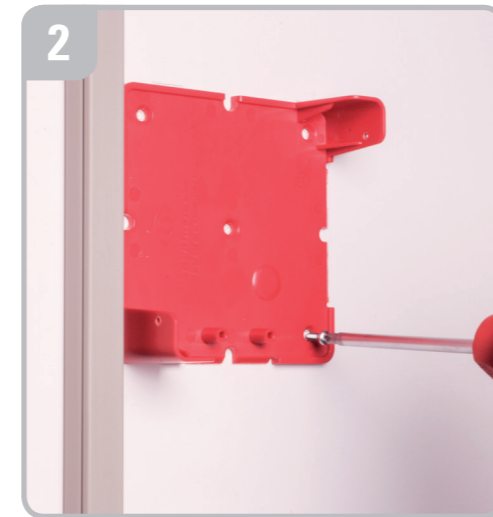
The Gfs DEXCON is designed to secure emergency exit doors with little effort. It is mounted above the vertical rim type rod in order to increase the deterrent. The sticker STOP sends out the message that the door should not be used without authorization. As soon as the door is opened a permanent alarm is triggered (75 dB/1 m). The automatic alarm switch-off can be adjusted individually (3 mins/30 sec.). The noise level can be increased to 95 dB/1 m. Only authorized persons may switch-off the alarm by turning the device key to position 1 either for a single passage or permanent opening (> 5 sec). In case that somebody forgets to close the door after a single passage command an acoustic warning tone will be triggered. The integrated battery monitoring indicates, that it is time to change the battery (voltage below 7.5 V). The Gfs DEXCON emits a warning tone over a period of 10 days. Mains supply is possible.

Features

- Easy installation
- Different noise levels for different building environments (95 dB/75 dB)
- Automatic alarm switch-off after 3mins, 30 sec. or instantly after the door has been closed
- Delayed alarm to control doors, which must not stay open (but shall be used)
- Battery monitoring included
- Integrated tampering alarm
- Option: radio transmission
- Mounting on fire doors and glass doors possible with adhesive tape

Scope of delivery

- 1x Gfs DEXCON
- 1x Reed contact with magnet and mounting accessories
- 1x 9V battery
- 1x Electric key switch with 2 keys
- 1x STOP sticker
- 7x Screws



Installation

1. Correctly place the Gfs DEXCON in the desired position.
2. Fix the Gfs DEXCON to the door with the five screws supplied (or with adhesive tape). Install the reed contact in position "vertical rod" (picture 4).
3. Stick the magnetic foil onto the vertical rod close to the reed contact within the housing. Make sure that the alarm is triggered before the door is opened.
4. Insert and turn the key into position 0, then remove it. Connect the battery (A). After 5 seconds two short acoustic signals sound. The Gfs DEXCON is deactivated now.
5. Place the housing onto the base plate.
6. Fix the housing on the base plate (**please tighten the two screws carefully**). Place the STOP sticker onto the housing.
7. To activate the Gfs DEXCON, insert the key in position 1 and turn it to 0. Then, turn the key to 1 and quickly back to 0 (< 5 sec). Remove the key.

Change battery: proceed as described in 4.

Operation

Activation

Key switch on 0

Then

short pulse (< 5 sec) to 1

and

back to 0

Quit alarm

short pulse (< 5 sec) to 1

and

back to 0

Permanently open function

Hold key in position 1 until it beeps twice

After that

turn back to 0

Single release

short pulse (< 5 sec) to 1

and

back to 0

Functions DIP Switches

DIP switch	1	2	3	4
Permanent Alarm ¹	OFF	OFF	OFF	OFF
Alarm duration 180 seconds	ON	OFF	OFF	OFF
Alarm duration 30 seconds	ON	ON	OFF	OFF
Instant alarm ¹	OFF	OFF	OFF	OFF
Delayed alarm (15 sec)	OFF	OFF	ON	ON
Reduced volume (75 dB/1 m) ¹	OFF	OFF	OFF	OFF
Full volume (95 dB/1 m)	OFF	OFF	OFF	ON
Autoreset ²	OFF	ON	OFF	OFF

Sounds

Interval	Meaning
3 sec	Screw to fix housing on base plate is loose/missing ³ OR: Magnet missing/false position
permanent	Permanent alarm when door is opened OR: tamper alarm
60 sec	Battery monitoring Voltage drops below 7.5 V
	Permanent opening command

¹ Factory settings ² no temporization
³ just during initial installation

Terminal connection

1-3	Potential free relay, 30 V/0.5 A max.
4+5	Mains supply, 12 V (max 13 V). For GND do not use cl. 7 or 9
6+7	External switch with reset GND (Cl. 7)
8+9	External opening contact GND (Cl. 9)
9	GND
9+10	Reed contact
Mains supply	12 V (-0.5V/+1 V) or 9 V (max. 10 V)
Current consumption	12 mA Activated mains operation 10 µA Activated battery operation 66 mA Alarm (siren active)

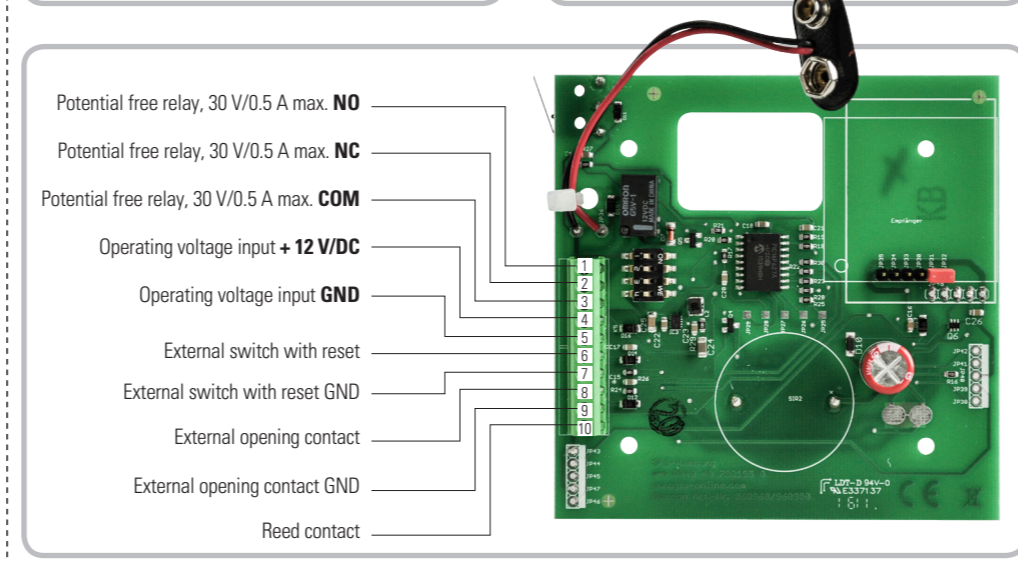
General information

Disposal
 Dispose an obsolete Gfs DEXCON at a collecting point for electronic waste or at your supplier. Dispose the packaging material at a paper collecting point for paper recycling. You may not dispose an obsolete device in the general waste.

Warranty
 Within the legal warranty time we intend to repair all defective devices, whether the defect is caused by the material or assembly, or replace them. The warranty expires after a third-party repair.

Conformity
 This product complies with the essential requirements of the R&TTE guideline 1999/5/EG. The certificate of conformity can be requested from your supplier.

Service
 In case of a system failure or a defective Gfs DEXCON please contact your dealer.



960961_DXC_0516 For printing errors, we assume no liability. Price increases, technical changes and updates without notice.