

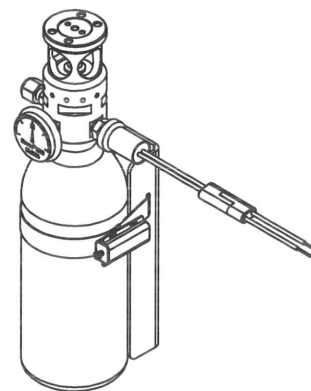
# SEA-FIRE DATA SHEET

500-001

MODEL RANGE - NFG25

Mechanical Characteristics

- Agent: 3M™ Novac™ 1230
- Cylinder capacity: 38 cu in, 0.62 l
- Operating pressure: 500 psig @ 70°F, 34.5 bar @ 21°C
- Pressure switch: electrical contact closed under pressure, opens upon discharge @ 385 psi, 26.5 bar
- Cylinder specification: DOT 39, TC 39M, CE (PED)
- Pressure gauge (visual indication of pressure in cylinder)
- System status indicator light included with each system (12 V DC standard)
- Instruction manual included with each system (123-330)
- Manifold: CDA 360 brass with corrosion inhibitor applied



AUTOMATIC

TARE WEIGHTS	LB	KG
AUTOMATIC	2.0	0.9
MANUAL/AUTOMATIC	2.2	1.0

Performance Characteristics

- Actuation temperature: 200°F, 93°C
- Discharge duration: less than 10 seconds
- Design concentration: 5.85%
- Safety factor: 30%
- Operating temperature range: 20°F-130°F, -7°C-54°C

Installation Data

- Bracket assy: 130-249
- Mounting: horizontal or vertical
- Mounting holes: 2X Ø0.283", 5" apart

Installation Requirements	(IN) Width	(IN) Height	(IN) Depth	(MM) Width	(MM) Height	(MM) Depth
Automatic	5.0	11.4	4.4	127	290	112
Manual/Automatic	5.0	12.7	4.4	127	323	112

Approvals

FM 3040508, USCG 162.029.248/0, TC, CE

Compliance To:

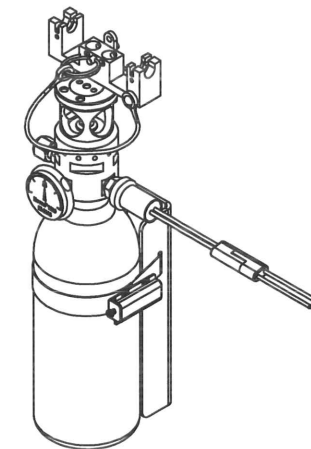
NFPA 2001, ABYC, Marine ISO-8846, UL2166, FM 5600, 46 CFR

Options

- Pressure switch connector: Delphi (Weather-Pack) male connector, Deutsch (DTP) male connector, Delphi (Weather-Pack) assembly with wire leads
- Manual cable activation: Bi-directional
- System status indicator light: 12VDC std, 24VDC optional
- Pressure relief assembly: 975 psi, 67.2 bar

Shipping Data

- Shipping name: Compressed Gas, n.o.s. (nitrogen and flourinated keytone mixture), UN 1956
- Case pack qty: 1, 6, 9
- DOT special permit: SP-11598



MANUAL/ AUTOMATIC

MODEL	NFG 25
(Lb) Agent Weight	1.34
(Kg) Agent Weight	0.61
(Lb) Filled Weight No Bkt	3.56
(Kg) Filled Wgt No Bkt	1.62
(Lb) Inst Wgt W/ Bkt	4.56
(Kg) Inst Wgt W/ Bkt	2.07
(Lb) Shipping Weight	6.56
(Kg) Shipping Wgt	2.98



9331-A PHILADELPHIA ROAD  
BALTIMORE, MD 21237 U.S.A.  
www.sea-fire.com

PHONE (410) 687-5500  
FAX (410) 687-5503

**DOCUMENT DISTRIBUTION**  
THIS DOCUMENT IS INTENDED FOR GENERAL DISTRIBUTION AND MAY BE SHARED FULLY

COMPONENT: CYLINDER ASSEMBLY  
AUTOMATIC & MANUAL/AUTO  
NFG 25 (DOT/TC/CE)

DATE: 4/24/12  
DRAWN BY: J. PIPPIN  
REVISION: B  
PART NO.: 500-001

4.5-6 REV B

SCALE: 1:5 ENGR APPR: *DB*

DATE: 5/31/12